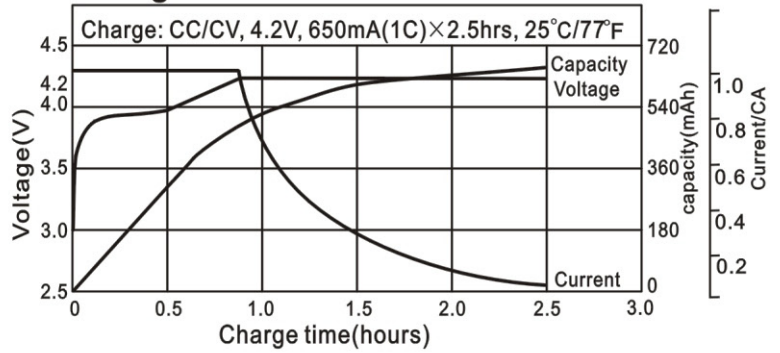


# LP043048

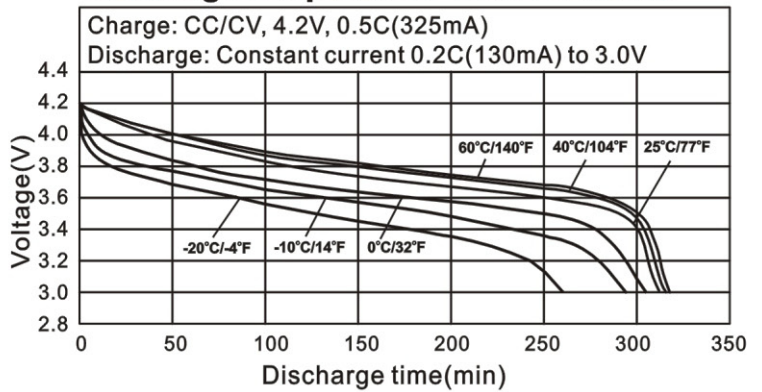
## Specifications

Nominal Voltage		3.7V	
Capacity <sup>1</sup> (mAh)	0.2C Discharge		
	Minimum	600mAh <sup>2</sup>	
	Typical <sup>3</sup>	650mAh	
Dimen- Sions	Thickness	mm	inch
		4.6 <sup>0</sup> <sub>-0.5</sub>	0.181 <sup>0</sup> <sub>-0.020</sub>
		Width	30.0 <sup>0</sup> <sub>-0.5</sub>
Height	48.0 <sup>0</sup> <sub>-0.6</sub>	1.890 <sup>0</sup> <sub>-0.024</sub>	
	Weight <sup>*</sup>		Ounces
		Grams	15
		Ounces	0.53
Internal impedance <sup>*</sup> at 1000Hz		< 80 mΩ (After charge)	
Charge	Standard	325mA(0.5C)×5hrs	
	Rapid	650mA(1C)×2.5hrs	
Ambient temperature	Charge	°C	°F
		0°C to 45°C	32°F to 113°F
	Discharge	-20°C to 60°C	-4°F to 140°F
Storage	-20°C to 45°C	-4°F to 113°F	

## Charge characteristics

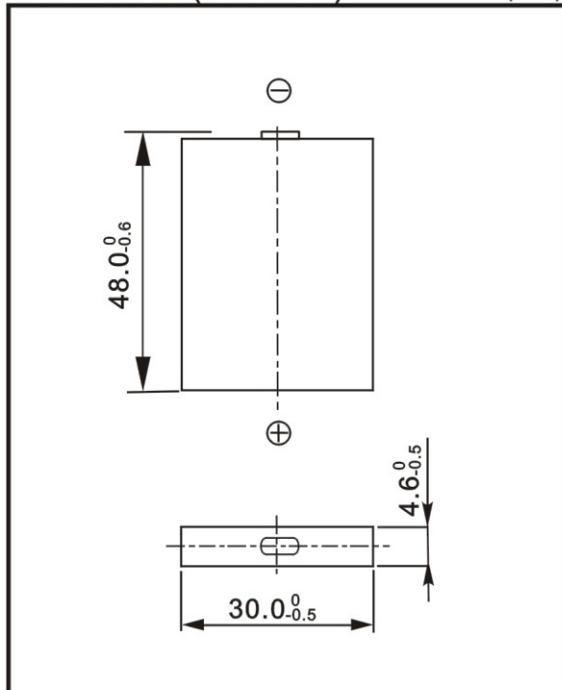


## Discharge temperature characteristics



## Dimensions(bare cell)

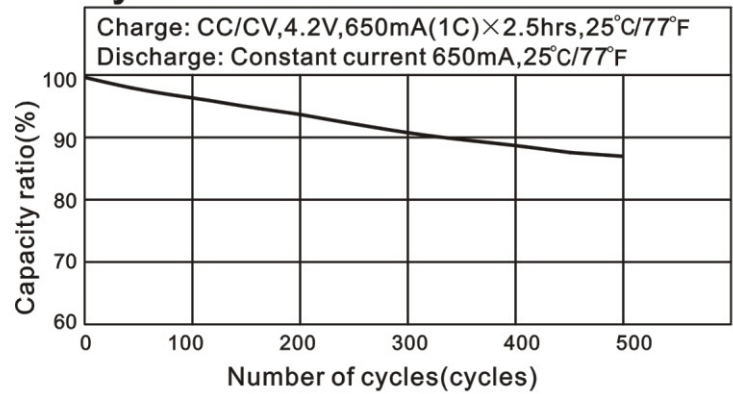
(mm)



### Note:

1. After charging at 1C for 2.5 hours.
  2. Nominal capacity, rated at 0.2C, 25°C/77°F.
  3. Average capacity. For reference only.
- \*. Weight and internal impedance are for reference.

## Cycle life characteristics



## Storage characteristic

